

Dimming

This product is compatible with most residential type dimmers available on the market. The dimming performance will depend on kind of dimmer and dimmer settings. Visit Satco.com for an up to date list of compatible dimmers.

Cleaning

- Clean with a soft or damp cloth. While cleaning with the damp cloth make sure the power is off.
- Do not clean with liquids or abrasives.

5 Year limited warranty

The purchased product is covered with a 5 year warranty in respect of any defect in material or workmanship after purchase date.

Satco shall bear no responsibility on account of guarantee, as well as shall bear noliability for any faults, in case of improper operation, use negligence, accident orexposure to natural hazard, or excessive use over the limits specified for the unit, or ifany unauthorized alteration or repair followed.

Operation manual

13" LED Flush mount light

With Integrated Dimmable Driver



Thank you for purchasing our product. This fixture has been manufactured from components with advanced optoelectronics to ensure high reliability and long life. Before assembling please read this Operation Manual carefully and save in a safe place for future reference. Please note that all electrical connections must be in accordance with local and National Electrical Code standards as well as local building codes. In case you are not familiar with proper wiring connections and building codes, consult a qualified electrician.

Safety recommendations

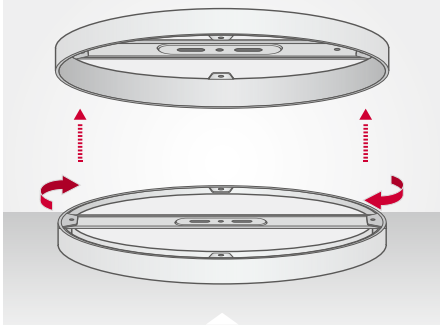
1. RISK OF ELECTRIC SHOCK – THIS PRODUCT MUST BE INSTALLED IN ACCORDANCE WITH APPLICABLE INSTALLATION CODES BY A PERSON FAMILIAR WITH MENTIONED ABOVE CODES AND HAZARDS INVOLVED. DISCONNECT POWER AT CIRCUIT BREAKER OR FUSE BEFORE INSTALLING OR SERVICING.
2. BEFORE USE OF THE PRODUCT CAREFULLY READ THE WHOLE OPERATION MANUAL.
3. THE PRODUCT IS PURPOSED FOR INTERIOR USE ONLY, SUITABLE FOR DAMP LOCATION.
4. PROTECT THE PRODUCT AGAINST DIRECT CONTACT WITH WATER.
5. ASSEMBLE THE PRODUCT ONLY WITH THE USE OF PARTS PROVIDED AND THE HOUSING; IMPROPER ASSEMBLY MAY RESULT IN DEVICE FAILING WHICH COULD DAMAGE THE PRODUCT, PERSONAL PROPERTY OR CAUSE INJURY.
6. ASSEMBLY SHALL FOLLOW WITH ACCESSORIES DELIVERED WITH THE SET ONLY.
7. THE DEVICE IS NOT A TOY, KEEP OUT OF REACH OF CHILDREN.

Specifcations:

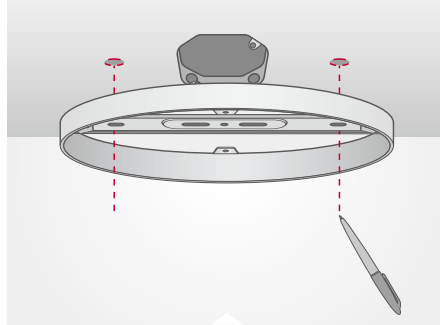
Operating Voltage:120VAC
 Dimming: Triac
 Power consumption: 25W
 Life span: 50,000h



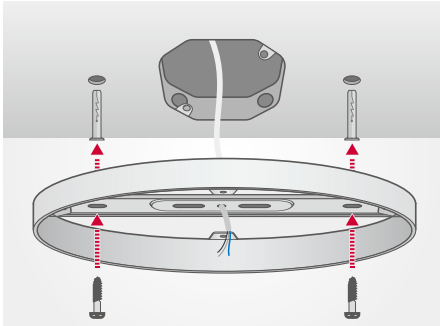
As an ENERGY STAR partner, Satco has determined that this product meets the ENERGY STAR® guidelines for energy efficiency



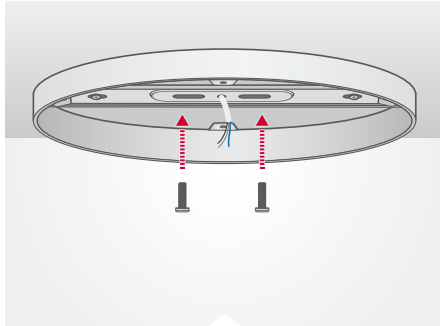
STEP 1: Twist & Unlock Mounting Bracket from lamp unit to remove.



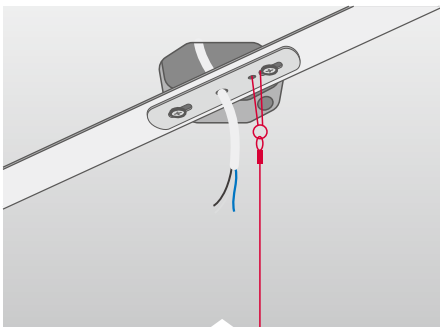
STEP 2: Use Pen to mark holes on ceiling. The holes are on edges of bracket.



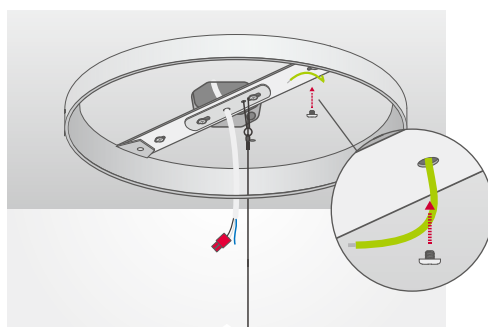
STEP 3: Drill holes for anchors and put anchors in holes. Attach the Mounting Bracket using 2 self tab screws.



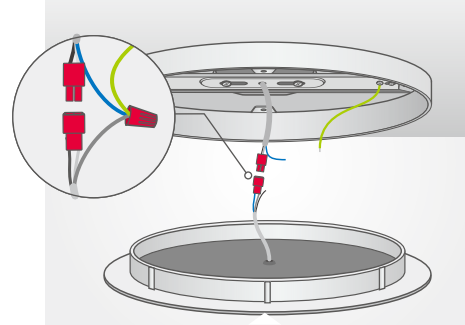
STEP 4: Attach the Mounting Bracket to junction box using 2 screws (provided). Feed all three wires (Positive, negative and ground) from ceiling through center hole of the Mounting Bracket.



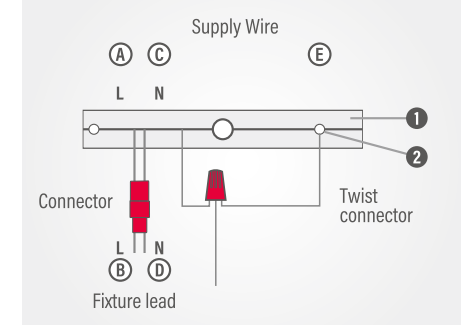
STEP 5: Hook up support wire as shown to hold fixture while you make the electrical connections.



STEP 6: Connect live supply wire and neutral supply wire with Orange Connector.

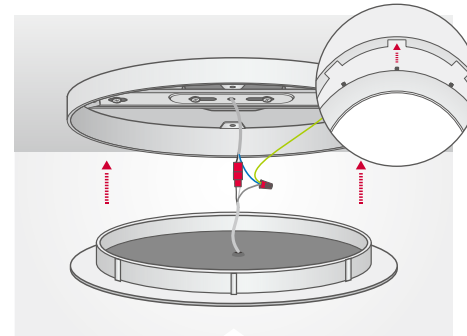


STEP 7: 1. Connect live supply wire (A) (typically black or the smooth, unmarkedside of the two-conductor cord) to live fixture lead (B) with appropriately sized twist on connector.



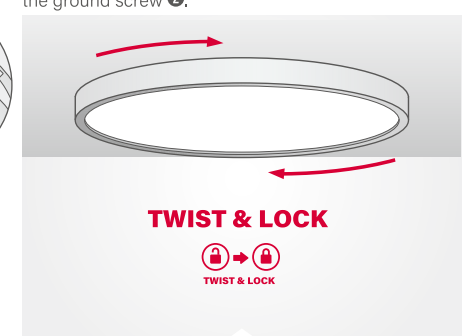
2. Connect neutral supply wire (C) (typically white or the ribbed, markedside of the two-conductor cord) to neutral fixture lead (D).

3. For positive grounding in a 3-wire electrical system, fasten the fixture ground (E) (typically cooper or green plastic coated) to the fixture mounting strap (1) with the ground screw (2).



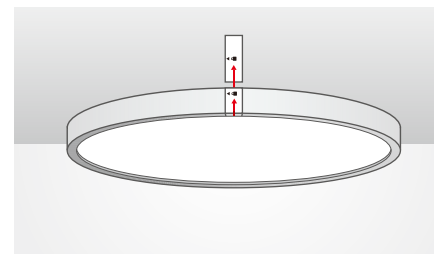
STEP 8: Raise the Lamp Unit up into the Mounting Bracket, push/feed the electrical wires up through the center hole into the junction box.

Match up alignment arrows (1-1) indicated on the Mounting Bracket and the Lamp Unit.



STEP 9: TWIST & LOCK (1)-(2) the Lamp Unit into the Mounting Bracket in the "Lock" direction to match up alignment arrows (1-2).

WARNING!! IF NOT LOCKED IN PLACE THE FIXTURE MAY FALL AND CAUSE SERIOUS INJURY!!



STEP 10: Once locked in place remove the stickers and gently align the Lamp Unit and Mounting Bracket for best fit.