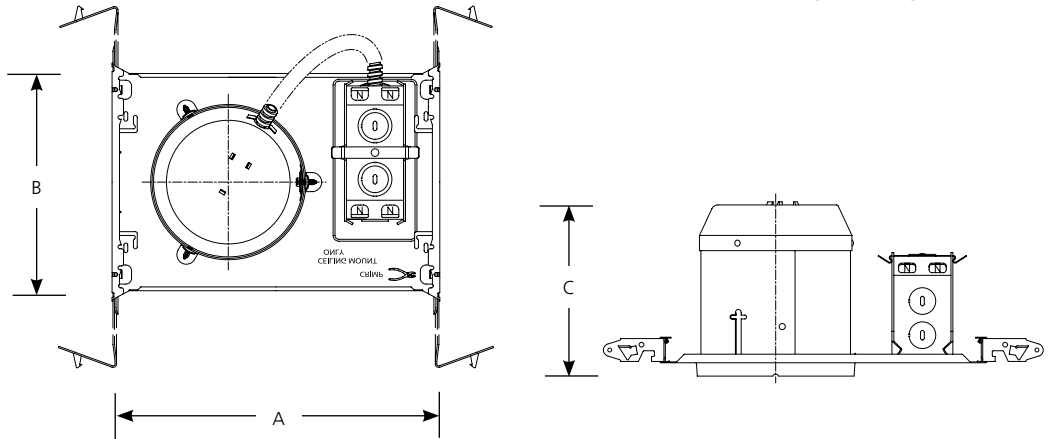


Type _____

P84-LED

Catalog No.	Lamping	Dimensions (Inches)		
		A	B	C
P84-LED	See Trim Specifications	7-7/8	10-3/4	5-1/2
		Ceiling Opening 5-1/4		



The P84-LED IC rated, new construction recessed can is designed specifically for use with P8061 Series LED trims (purchased separately). The integral quick link connector provides electrical connection to the trim in place of a traditional Edison base socket. The P84-LED in conjunction with the P8061 series LED trims is a high efficacy luminaire compliant with California Title 24 requirements for recessed lighting. Marked for 15W maximum input power, the P84-LED is also a great option where lighting power densities limit allowable W/ft².

Title 24 Lighting

Specifications:

Wiring

- Universal J-box with snap-out sides
- Removable housing for field inspection of wiring
- Grounding pigtail
- Integral knock out free Romex clamps
- 1/2" & 3/4" knock outs for rigid conduit or BX fittings

- Captive
- 90-degree mounting for tight spaces

Labeling

- IC rated
- UL-CUL Listed for damp location and through branch wiring
- Complies with Washington State Energy Code (WSEC) requirement for air-tight

Construction

- Shallow housing for 2X6 construction
- Notched housing for chalkline alignment
- Housing adjusts from 1/2" to 1-1/2" thick ceilings
- Full wrap-around plaster frame

Lamp/Trim

- P84-LED is designed for use with P8061 series LED trims (sold separately)

Bar Hangers

- Integral nailers for wood joist construction
- Integral T-bar mounting clamps
- Inter-connected to securely span 24" spacing
- Lock to secure housing